



Monday 19 May 2014 – Morning

A2 GCE MATHEMATICS (MEI)

4762/01 Mechanics 2

PRINTED ANSWER BOOK

Candidates answer on this Printed Answer Book.

OCR supplied materials:

- Question Paper 4762/01 (inserted)
- MEI Examination Formulae and Tables (MF2)

Other materials required:

- Scientific or graphical calculator

Duration: 1 hour 30 minutes



Candidate forename		Candidate surname	
--------------------	--	-------------------	--

Centre number						Candidate number				
---------------	--	--	--	--	--	------------------	--	--	--	--

INSTRUCTIONS TO CANDIDATES

These instructions are the same on the Printed Answer Book and the Question Paper.

- The Question Paper will be found inside the Printed Answer Book.
- Write your name, centre number and candidate number in the spaces provided on the Printed Answer Book. Please write clearly and in capital letters.
- **Write your answer to each question in the space provided in the Printed Answer Book.** Additional paper may be used if necessary but you must clearly show your candidate number, centre number and question number(s).
- Use black ink. HB pencil may be used for graphs and diagrams only.
- Read each question carefully. Make sure you know what you have to do before starting your answer.
- Answer **all** the questions.
- Do **not** write in the bar codes.
- You are permitted to use a scientific or graphical calculator in this paper.
- Final answers should be given to a degree of accuracy appropriate to the context.
- The acceleration due to gravity is denoted by $g\text{ms}^{-2}$. Unless otherwise instructed, when a numerical value is needed, use $g = 9.8$.

INFORMATION FOR CANDIDATES

This information is the same on the Printed Answer Book and the Question Paper.

- The number of marks is given in brackets [] at the end of each question or part question on the Question Paper.
- You are advised that an answer may receive **no marks** unless you show sufficient detail of the working to indicate that a correct method is being used.
- The total number of marks for this paper is **72**.
- The Printed Answer Book consists of **16** pages. The Question Paper consists of **8** pages. Any blank pages are indicated.

1 (a) (i)	(continued)
1 (a) (ii)	

1(b)(i)

(answer space continued on next page)

1 (b) (i)	(continued)

1 (b) (ii)	

2 (i)	

2 (ii)	

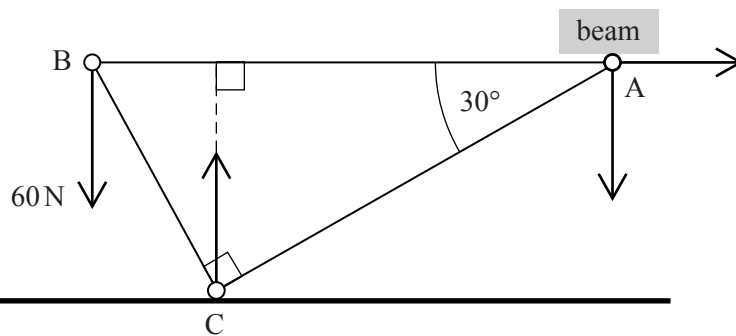
(answer space continued on next page)

2 (iii)	

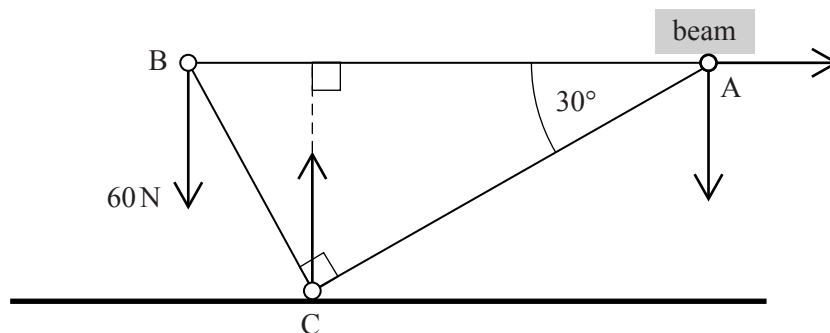
2(iv)	

3(a)(i)

3(a)(ii) A spare copy of this diagram can be found on page 13



3 (b) (i)	
3 (b) (ii)	
(answer space continued on next page)	

3(b)(ii) (continued)**3(a)(ii) Spare copy of diagram for question 3(a)(ii)**

4 (a) (i)	

4 (a) (ii)	

(answer space continued on next page)

4 (a) (ii) (continued)	

4 (a) (iii)	

4(b)	