

**ADVANCED SUBSIDIARY GCE**  
**ELECTRONICS**  
Simple Systems

**F611**

Candidates answer on the question paper.

**OCR supplied materials:**  
None

**Other materials required:**

- Scientific calculator

**Tuesday 17 May 2011**  
**Afternoon**

**Duration:** 1 hour 30 minutes



Candidate forename		Candidate surname	
-----------------------	--	----------------------	--

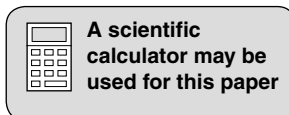
Centre number							Candidate number				
---------------	--	--	--	--	--	--	------------------	--	--	--	--

**INSTRUCTIONS TO CANDIDATES**

- Write your name, centre number and candidate number in the boxes above. Please write clearly and in capital letters.
- Use black ink. Pencil may be used for graphs and diagrams only.
- Read each question carefully. Make sure you know what you have to do before starting your answer.
- Write your answer to each question in the space provided. Additional paper may be used if necessary but you must clearly show your candidate number, centre number and question number(s).
- Answer **all** the questions.
- Do **not** write in the bar codes.

**INFORMATION FOR CANDIDATES**

- The number of marks is given in brackets [ ] at the end of each question or part question.
- The total number of marks for this paper is **90**.
- You will be awarded marks for the quality of your written communication where this is indicated in the question.
- You are advised to show all the steps in any calculations.
- This document consists of **16** pages. Any blank pages are indicated.



**Data Sheet**

Assume, unless otherwise indicated, that:

- all op-amps operate from supply rails at +15V and –15V
- all logic gates operate from supply rails at +5V and 0V.

resistance	$R = \frac{V}{I}$
power	$P = VI$
series resistors	$R = R_1 + R_2$
time constant	$\tau = RC$
monostable pulse time	$T = 0.7 RC$
relaxation oscillator period	$T = 0.5 RC$
frequency	$f = \frac{1}{T}$
Boolean Algebra	$A \cdot \bar{A} = 0$ $A + \bar{A} = 1$ $A \cdot (B + C) = A \cdot B + A \cdot C$ $\overline{A \cdot B} = \bar{A} + \bar{B}$ $\overline{A + B} = \bar{A} \cdot \bar{B}$ $A + A \cdot B = A$ $A \cdot B + \bar{A} \cdot C = A \cdot B + \bar{A} \cdot C + B \cdot C$

**3**

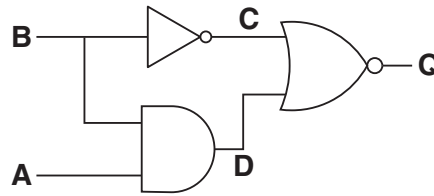
**BLANK PAGE**

**TURN OVER FOR NEXT QUESTION**

**PLEASE DO NOT WRITE ON THIS PAGE**

Answer **all** the questions.

1 Fig. 1.1 shows a logic system.



**Fig. 1.1**

(a) Complete the truth table for this logic system.

<b>B</b>	<b>A</b>	<b>C</b>	<b>D</b>	<b>Q</b>
0	0			
0	1			
1	0			
1	1			

[3]

(b) Use the truth table to write down a Boolean expression for Q in terms of A and B.

Q = ..... [1]

(c) Draw a diagram to show how the NOT gate can be made from a NAND gate.

[1]

(d) Draw a diagram to show how the AND gate can be made from NAND gates.

[1]

(e) Draw a diagram to show how the NOR gate can be made from NAND gates.

[1]

(f) Draw in the space below a circuit with only NAND gates that replaces the circuit of Fig. 1.1. Label the inputs A and B and the output Q.

[2]

(g) State an advantage of using only NAND gates to build a circuit.

.....

.....

..... [1]

[Total: 10]

2 Fig. 2.1 shows an op-amp circuit.

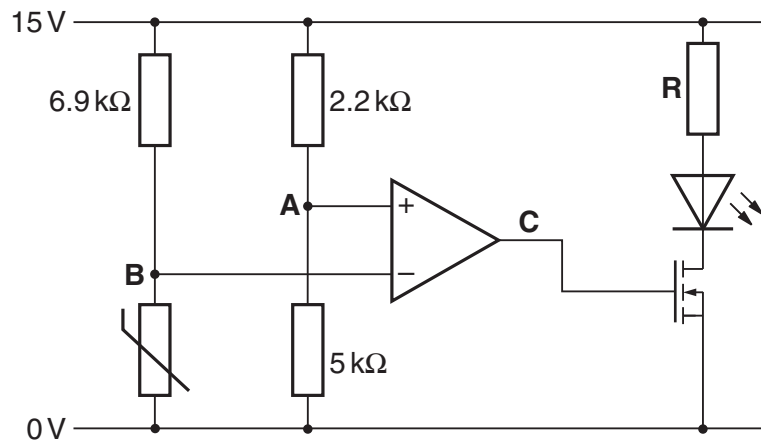


Fig. 2.1

- (a) A student decides to build this circuit the only available resistors are 2.2kΩ, 4.7kΩ and 10kΩ.
- (i) Draw a diagram to show how the 6.9kΩ resistor can be replaced by a combination of some of the available resistors.

[2]

- (ii) Fig. 2.2 shows a number of resistors connected in parallel. Put a ring around the resistor combination which could replace the 5kΩ resistor in Fig. 2.1.

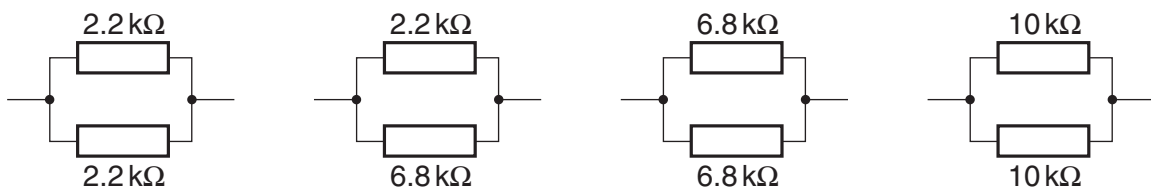


Fig. 2.2

[1]

- (b) Calculate the voltage at A.

Voltage at A = ..... [3]

(c) Explain why the connection to the op-amp can be ignored in your calculation of the voltage at **A**.  
..... [1]

(d) When the output of the op-amp is saturated positive the LED glows.  
Calculate the value of R to make the LED operate at 30mA and 4.5V.

R = .....  $\Omega$  [2]

(e) Put a ring around the MOSFET on Fig. 2.1. [1]

(f) Explain why the MOSFET is needed

.....  
.....  
..... [2]

(g) Draw on Fig. 2.1 to show how a voltmeter can be connected to measure the voltage at the inverting input of the op-amp. [1]

(h) Explain why the LED does **not** glow when the thermistor is cold.  
Refer to the points **A**, **B** and **C** in your answer.

.....  
.....  
..... [4]

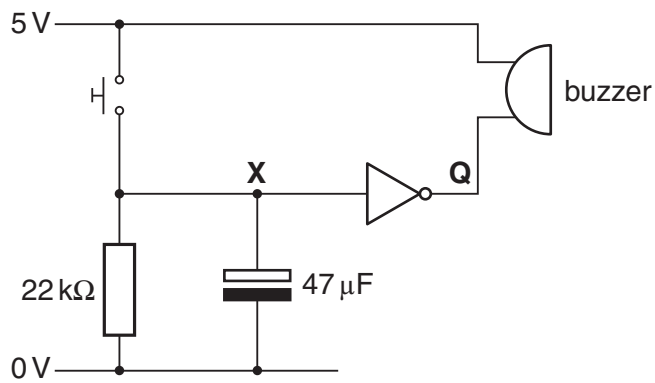
(i) Explain what happens to the state of the LED as the temperature of the thermistor changes slowly from cold to hot.  
Refer to the points **A**, **B** and **C** in your answer.

.....  
.....  
..... [3]

[Total: 20]

Turn over

- 3 The circuit in Fig. 3.1 allows a switch to control a buzzer.



Voltage at X	Voltage at Q
less than 2.5V	5V
more than 2.5V	0V

Fig. 3.1

- (a) (i) Show that the time constant of the resistor and capacitor network is about 1 s.

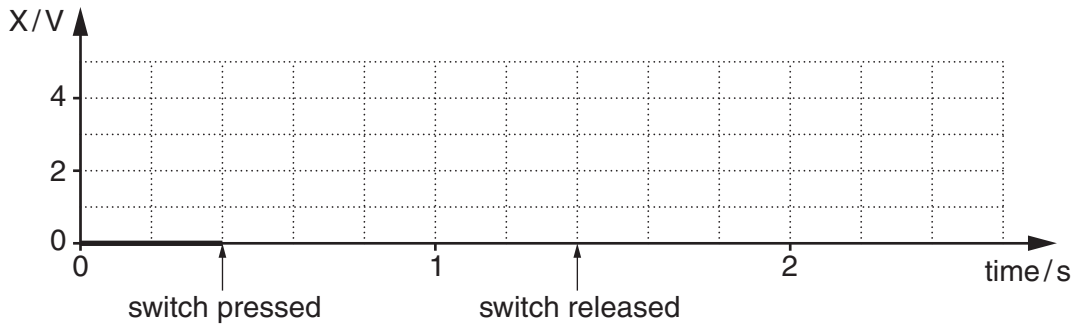
[2]

- (ii) Calculate the time taken for the voltage at X to fall from 5V to 2.5V when the switch is released.

Time = ..... s [1]

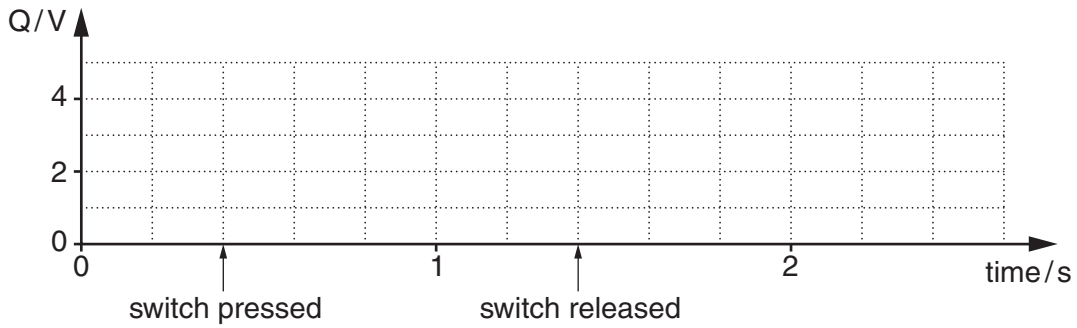


(b) Complete the graph below to show how the voltage at **X** changes with time as the switch is pressed and released.



[4]

(c) Use the data in the table of Fig. 3.1 to draw a graph showing how the voltage at **Q** changes with time as the switch is pressed and released.



[3]

(d) Explain what happens when the switch in Fig. 3.1 is pressed and released.

.....

.....

.....

.....

.....

.....

.....

.....

.....

.....

..... [6]

[Total: 16]

4 Fig. 4.1 shows an incomplete circuit to produce sound.

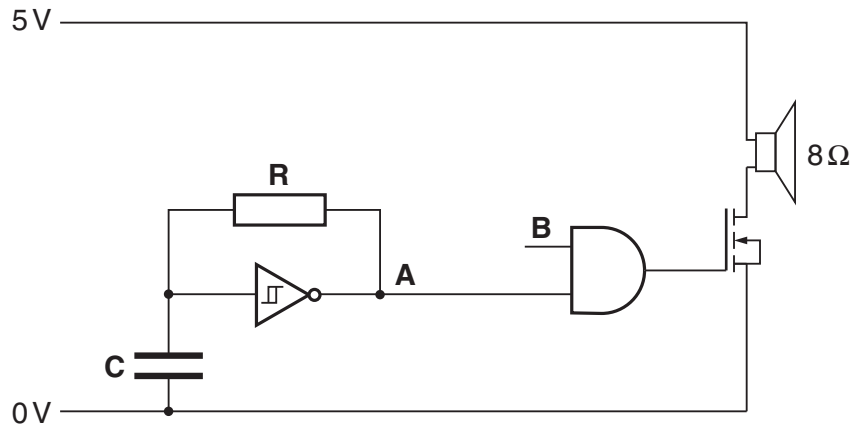


Fig. 4.1

(a) The signal at **A** has a frequency of 440Hz. Show that the period of the signal at **A** is about 2ms.

[1]

(b) Calculate suitable values of **R** and **C** to produce a signal with a frequency of 440Hz at **A**.

R = ..... Ω

C = ..... F

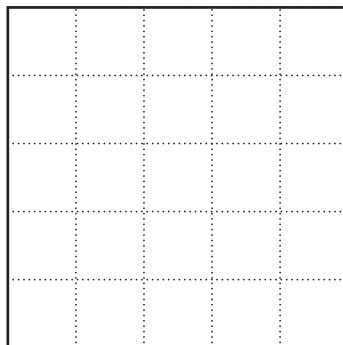
[3]

(c) Draw on Fig. 4.1 to show how an oscilloscope can be connected to display the signal at **A**. [1]

(d) On the grid below draw the trace you would expect to see on the oscilloscope.

Time base = 0.5ms/division

Y sensitivity = 2V/division



[3]

(e) Draw on Fig. 4.1 to show how a resistor and a switch can be connected to point **B** so that the speaker makes a sound when the switch is pressed. [2]

(f) Show that the current through the speaker is about 600 mA when the MOSFET is on.

[1]

(g) The following MOSFETs are available for the circuit in Fig. 4.1.

Device	$R_{DS(on)}/\Omega$	Maximum $I_D/A$	Maximum Power/W
<b>2N7000</b>	5	0.2	0.4
<b>ZVN3306A</b>	5	0.27	0.625
<b>ZVN2106A</b>	2	0.45	0.7
<b>BS170</b>	5	0.5	0.83
<b>ZVN4306A</b>	0.45	1.1	0.85

(i) Write down the most suitable device for the MOSFET in the circuit.

..... [1]

(ii) Give a reason for your choice of MOSFET.

..... [1]

[Total: 13]

5 Fig. 5.1 shows an incomplete block diagram of an electronic alarm system for a fridge.

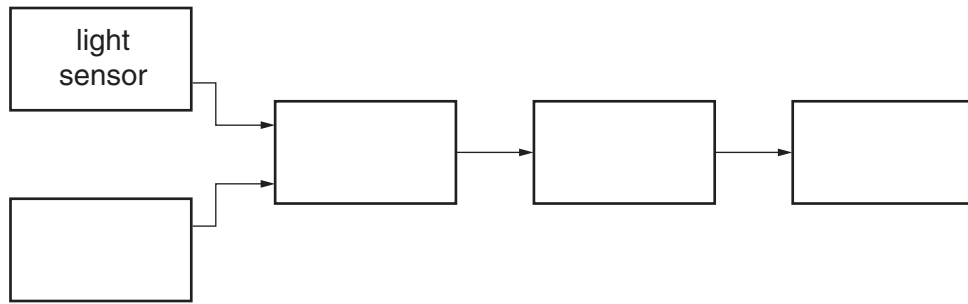


Fig. 5.1

The system sounds an alarm when:

- the fridge gets warm;
- there is light inside the fridge because the door is open.

(a) Complete the block diagram by putting the correct label in each block. Choose from:

- buzzer**      **driver**      **logic gate**      **position sensor**      **temperature sensor**      **zener diode**

[4]

(b) State what the arrows on a block diagram represent.

..... [1]

(c) The circuit of the light sensor is shown in Fig. 5.2.

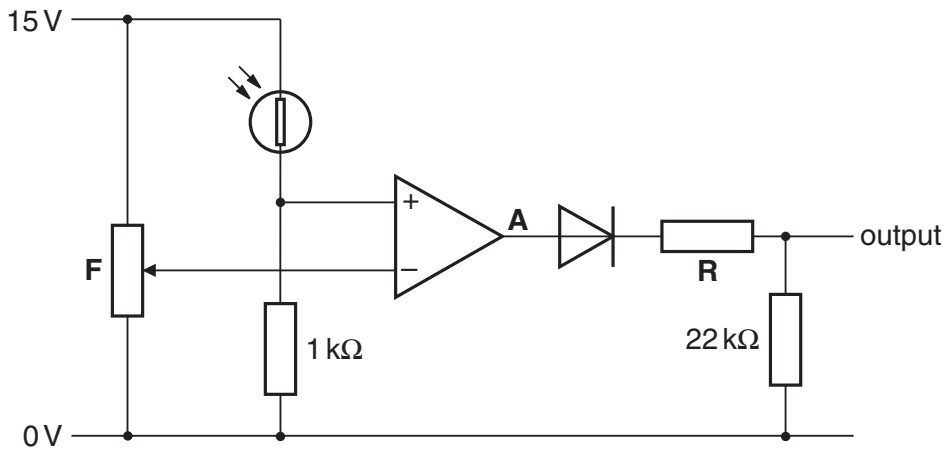


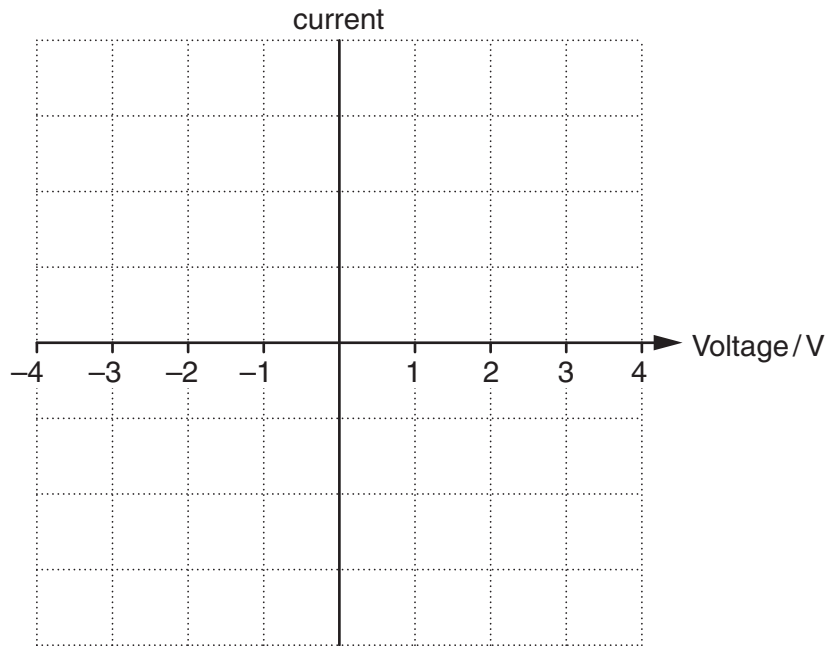
Fig. 5.2

(i) Label the LDR in the circuit of Fig. 5.2. [1]

(ii) State the electrical properties of an LDR.

..... [2]

- (iii) The circuit in Fig. 5.2 contains a diode. Draw a graph on the axes below to show how the current through the diode depends on the voltage across it.



[3]

- (iv) Calculate a suitable value for R to make the output of the circuit 5V when the voltage at **A** is 13V.

R = ..... [3]

- (v) Name the component marked **F** in Fig. 5.2.

..... [1]

- (vi) Suggest why component **F** has been included in the circuit of Fig. 5.2.

.....  
 .....  
 ..... [2]

[Total: 17]

6 The truth table for a logic system is shown below. It has inputs C, B and A, and outputs W and Z.

C	B	A	W	Z
0	0	0	0	
0	0	1	1	
0	1	0	0	
0	1	1	1	
1	0	0	0	
1	0	1	0	
1	1	0	1	
1	1	1	1	

(a) Write a Boolean expression for W.

W = ..... [1]

(b) Fig. 6.1 shows the circuit for W.

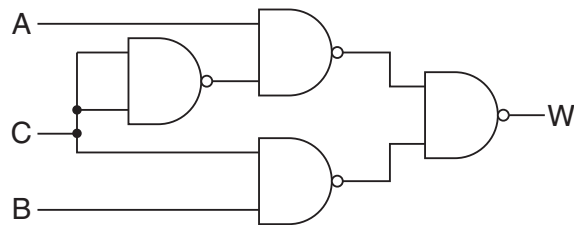


Fig. 6.1

(i) Use Boolean algebra to show that the circuit in Fig. 6.1 is equivalent to your expression for W in part (a).

[4]

(ii) Suggest why the power supply connections for the logic gates are not shown.

.....  
 ..... [1]

- (c) Fill in column Z in the truth table using the Boolean expression  $Z = C \cdot \bar{B} \cdot A + \bar{C} \cdot \bar{A}$  [2]
- (d) Show in the space below how a circuit for Z can be assembled from NOT, AND and OR gates.

[3]

[Total: 11]

Quality of written communication [3]

**END OF QUESTION PAPER**

**PLEASE DO NOT WRITE ON THIS PAGE**



**Copyright Information**

OCR is committed to seeking permission to reproduce all third-party content that it uses in its assessment materials. OCR has attempted to identify and contact all copyright holders whose work is used in this paper. To avoid the issue of disclosure of answer-related information to candidates, all copyright acknowledgements are reproduced in the OCR Copyright Acknowledgements Booklet. This is produced for each series of examinations and is freely available to download from our public website ([www.ocr.org.uk](http://www.ocr.org.uk)) after the live examination series.

If OCR has unwittingly failed to correctly acknowledge or clear any third-party content in this assessment material, OCR will be happy to correct its mistake at the earliest possible opportunity.

For queries or further information please contact the Copyright Team, First Floor, 9 Hills Road, Cambridge CB2 1GE.

OCR is part of the Cambridge Assessment Group; Cambridge Assessment is the brand name of University of Cambridge Local Examinations Syndicate (UCLES), which is itself a department of the University of Cambridge.