

ADVANCED GCE
HEALTH AND SOCIAL CARE
Anatomy and Physiology in Practice

F921

Candidates answer on the question paper.

OCR supplied materials:
None

Other materials required:
None

Monday 31 January 2011
Afternoon

Duration: 1 hour 30 minutes



Candidate forename		Candidate surname	
-----------------------	--	----------------------	--

Centre number						Candidate number				
---------------	--	--	--	--	--	------------------	--	--	--	--

INSTRUCTIONS TO CANDIDATES

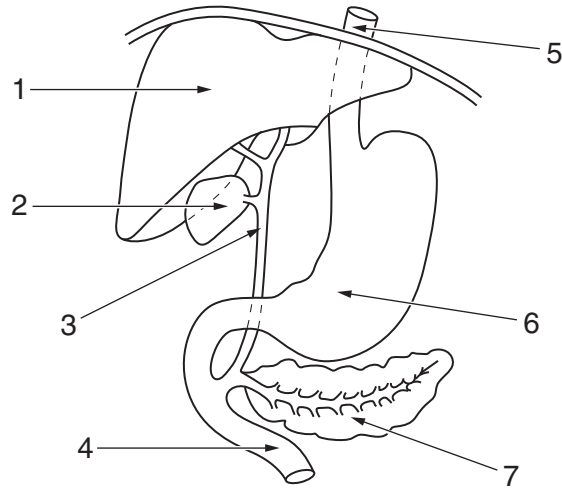
- Write your name, centre number and candidate number in the boxes above. Please write clearly and in capital letters.
- Use black ink. Pencil may be used for graphs and diagrams only.
- Read each question carefully. Make sure you know what you have to do before starting your answer.
- Write your answer to each question in the space provided. If additional space is required, you should use the lined pages at the end of this booklet. The question number(s) must be clearly shown.
- Answer **all** the questions.
- Do **not** write in the bar codes.

INFORMATION FOR CANDIDATES

- The number of marks is given in brackets [] at the end of each question or part question.
- The total number of marks for this paper is **100**.
- You will be awarded marks for the quality of written communication where an answer requires a piece of extended writing.
- This document consists of **16** pages. Any blank pages are indicated.

1

2



Digestive System

(a) Name each of the structures labelled 1–7.

- 1
- 2
- 3
- 4
- 5
- 6
- 7 [7]

(b) Describe the functions of each part of the digestive system given below.

- Stomach
-
-
-
-
- Pancreas
-
-
-

Small intestine

.....
.....
.....

Rectum

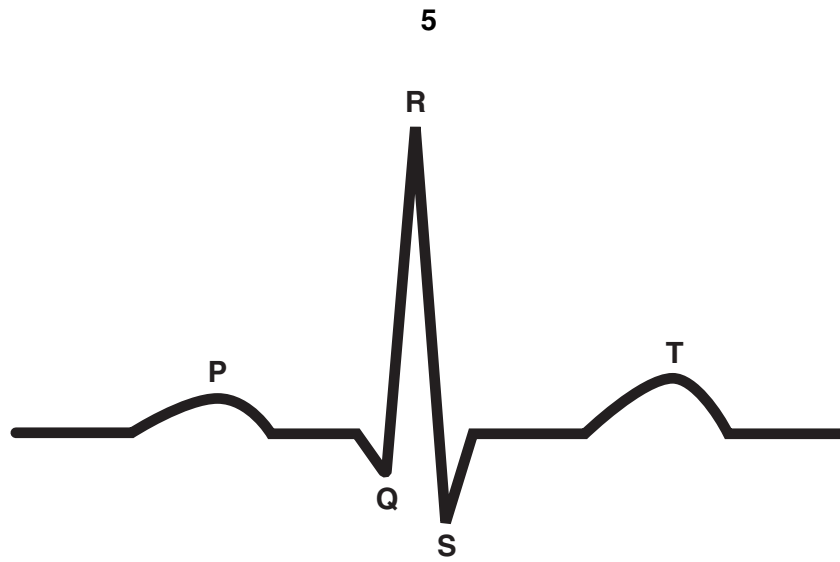
.....
.....
..... [8]

(c) Describe the treatment of a named dysfunction of the digestive system that you have studied.

.....
.....
.....
.....
.....
.....
.....
.....
.....
.....
.....
.....
.....
.....
.....
.....
.....
.....
..... [5]

[Total: 20]

(b)

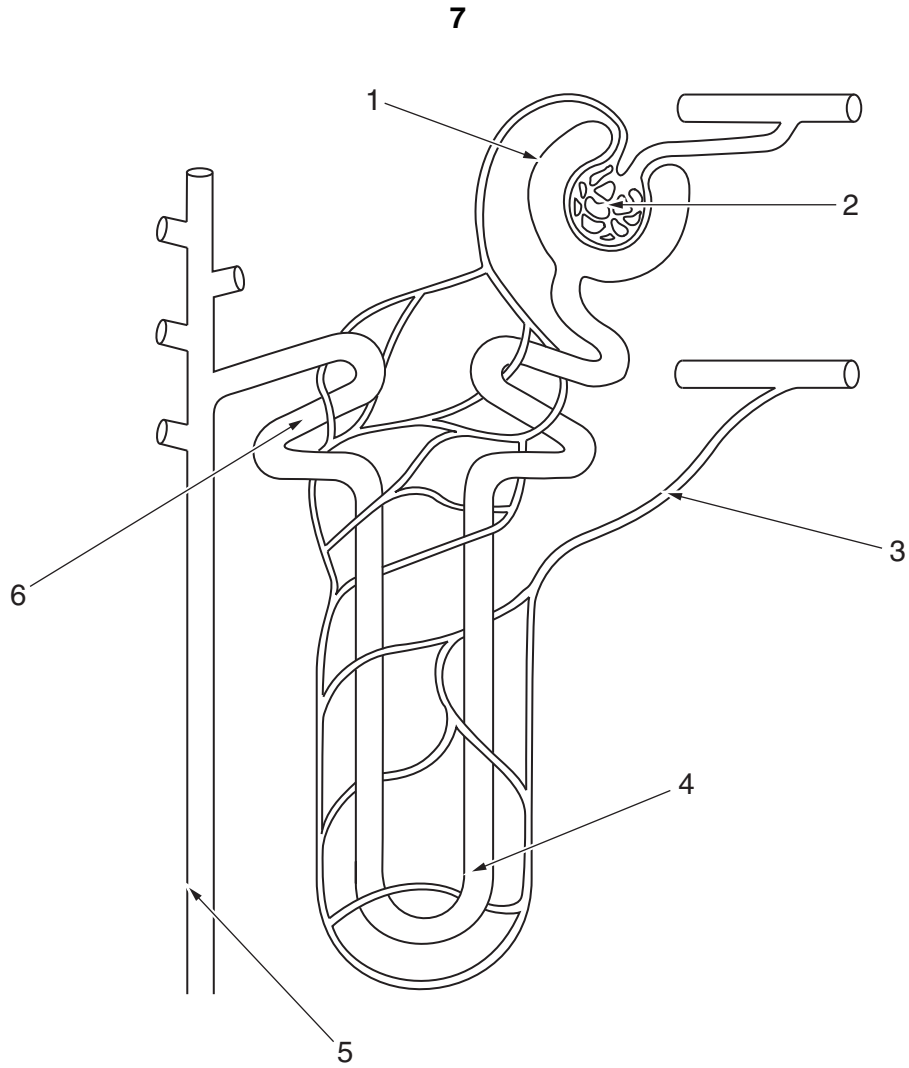


Normal ECG Trace

Identify the activity within the heart at each of the points.

Point	Activity
P	
QRS	
T	

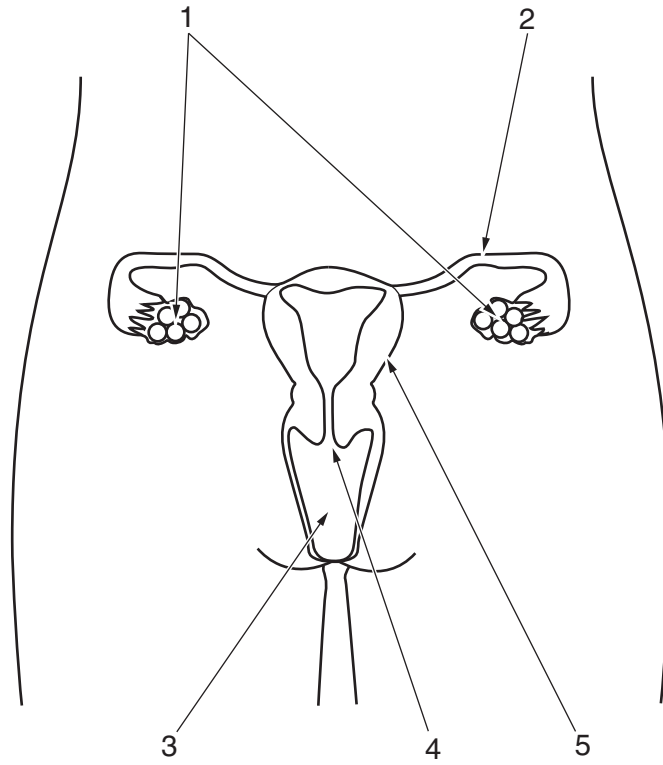
[3]



Kidney Tubule

(a) Name each of the structures labelled 1–6.

- 1
- 2
- 3
- 4
- 5
- 6 [6]



Female Reproductive system

(a) Name each of the structures labelled 1–5.

- 1.....
- 2.....
- 3.....
- 4.....
- 5..... [5]

(b) Describe causes of infertility in females.

.....

.....

.....

.....

.....

.....

.....

.....

.....

.....

.....
.....
.....
.....
.....
..... [7]

(c) Describe how female infertility could be diagnosed and treated.

.....
.....
.....
.....
.....
.....
.....
.....
.....
.....
.....
.....
.....
.....
.....
.....
.....
.....
.....
.....
..... [8]

[Total: 20]

5 Smoking has been proven to damage healthy lung tissue and other body systems.

Discuss the physiological effects that smoking can have on the respiratory system and other body systems.

.....

.....

.....

.....

.....

.....

.....

.....

.....

.....

.....

.....

.....

.....

.....

.....

.....

.....

.....

.....

.....

.....

.....

.....

A series of 25 horizontal dotted lines spanning the width of the page, providing a template for handwriting practice.

.....

.....

.....

.....

.....

.....

.....

.....

.....

.....

.....

.....

.....

.....

.....

.....

.....

.....

.....

.....

.....

.....

.....

.....

.....

.....



Copyright Information

OCR is committed to seeking permission to reproduce all third-party content that it uses in its assessment materials. OCR has attempted to identify and contact all copyright holders whose work is used in this paper. To avoid the issue of disclosure of answer-related information to candidates, all copyright acknowledgements are reproduced in the OCR Copyright Acknowledgements Booklet. This is produced for each series of examinations and is freely available to download from our public website (www.ocr.org.uk) after the live examination series.

If OCR has unwittingly failed to correctly acknowledge or clear any third-party content in this assessment material, OCR will be happy to correct its mistake at the earliest possible opportunity.

For queries or further information please contact the Copyright Team, First Floor, 9 Hills Road, Cambridge CB2 1GE.

OCR is part of the Cambridge Assessment Group; Cambridge Assessment is the brand name of University of Cambridge Local Examinations Syndicate (UCLES), which is itself a department of the University of Cambridge.