

Level 3 Cambridge Technical in Engineering

05822/05823/05824/05825/05873

Unit 2: Science for engineering

Wednesday 11 January 2017 – Morning
Time allowed: 1 hour 30 minutes

You must have:

- the formula booklet for Level 3 Cambridge Technical in Engineering (inserted)
- a ruler (cm/mm)
- a protractor
- a scientific calculator

First Name					Last Name				
Centre Number					Candidate Number				
Date of Birth									

INSTRUCTIONS

- Use black ink. You may use an HB pencil for graphs and diagrams.
- Complete the boxes above with your name, centre number, candidate number and date of birth.
- Answer **all** the questions.
- Write your answer to each question in the space provided.
- Additional paper may be used if required but you must clearly show your candidate number centre number and question number(s).

INFORMATION

- The total mark for this paper is **60**.
- The marks for each question are shown in brackets [].
- Where appropriate, your answers should be supported with working. Marks may be given for a correct method even if the answer is incorrect.
- An answer may receive no marks unless you show sufficient detail of the working to indicate that a correct method is being used.
- Final answers should be given to a degree of accuracy appropriate to the context.
- This document consists of **12** pages.

FOR EXAMINER USE ONLY	
Question No	Mark
1	/10
2	/10
3	/10
4	/10
5	/10
6	/10
Total	/60

Answer **all** questions.

- 1 (a) Assign the appropriate power of ten to the following prefixes.

μ (micro)	
M (mega)	
k (kilo)	
m (milli)	

[4]

- (b) Define the term relative error in the context of engineering measurements.

.....
 [1]

- (c) You are given that $X = 0.002362$.

Find the relative error if X is written to

- (i) 3 significant figures,

.....

 [3]

- (ii) 3 decimal places.

.....

 [2]

2 Use $g = 9.8\text{ms}^{-2}$ in this question.

- (a) A 20kg ball shown in Fig. 1 is suspended in equilibrium from the ceiling on a wire and has a force $F = 80\text{N}$ acting on it in horizontal direction. The wire makes an angle of α with the vertical.

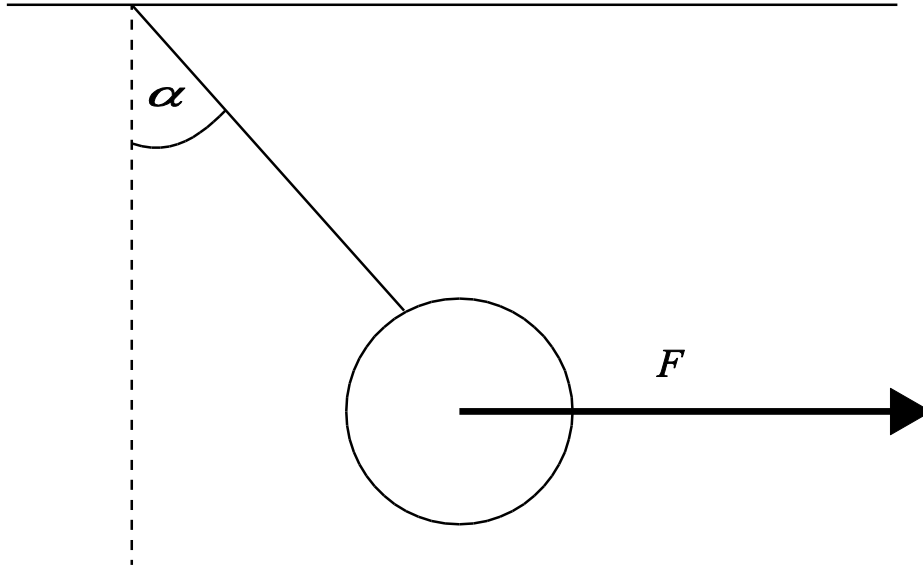


Fig. 1

- (i) Calculate the weight of the ball.

.....
 [1]

- (ii) Calculate the tension in the wire.

.....

 [2]

- (iii) Calculate the angle, α , between the vertical and the wire.

.....

 [3]

(b) Fig. 2 shows how the velocity of a moving object changes over a few seconds.

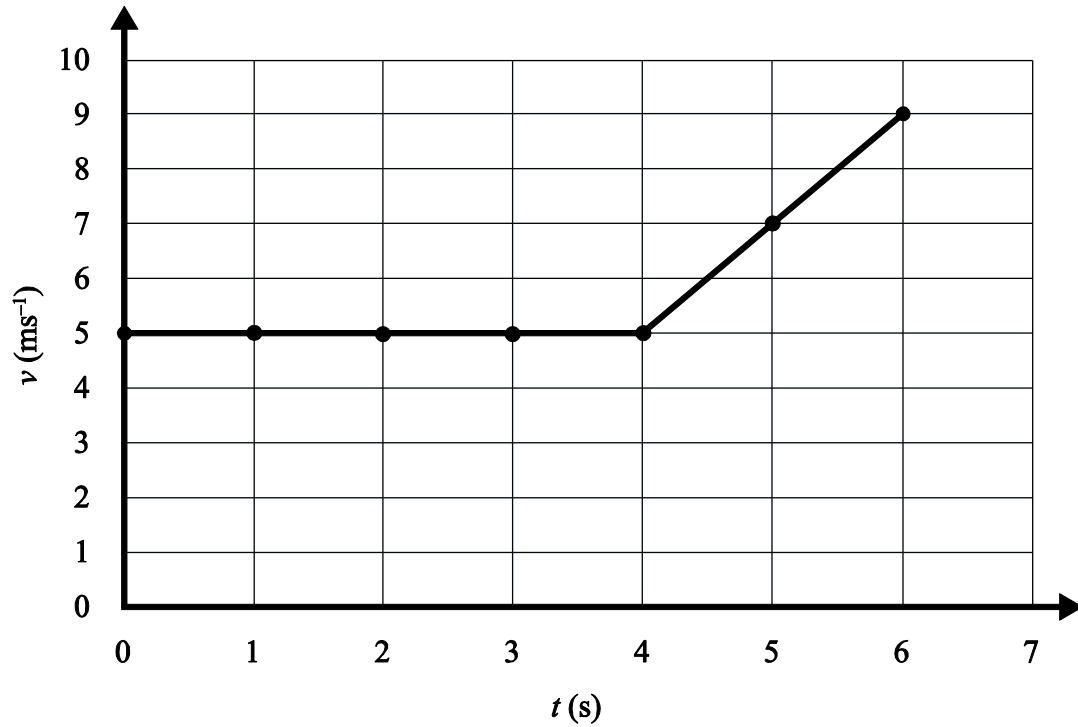


Fig. 2

(i) Calculate the distance covered by the object in the first 4 seconds.

.....
 [1]

(ii) Calculate the acceleration of the object between 4 and 6 seconds.

.....
 [1]

(iii) From time $t = 6$ seconds the object has constant deceleration, coming to rest in 3 seconds. Find the value of the constant deceleration.

.....

 [2]

- 3 (a) The current flowing through the circuit shown in Fig. 3 is $I = 2\text{ A}$.

The potential differences across R_1 , R_2 and R_3 are 5 V , 2 V and 10 V respectively.

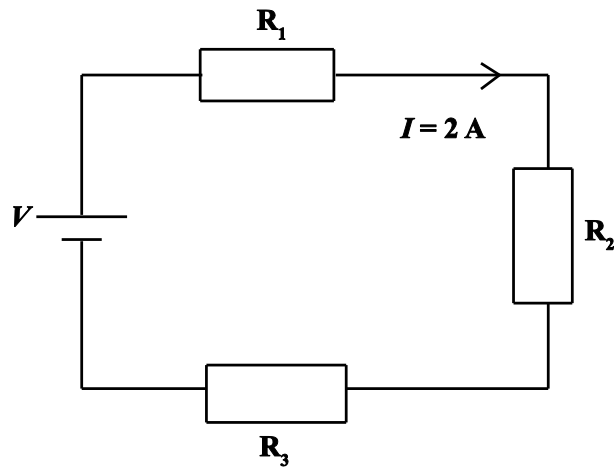


Fig. 3

Calculate

- (i) the total voltage supplied to the circuit,

..... [1]

- (ii) the total resistance in the circuit,

.....
 [2]

- (iii) the resistance of the individual resistors R_1 , R_2 and R_3 ,

.....

 [3]

- (iv) the power lost across resistor R_1 .

.....

 [2]

(b) (i) State the SI unit for inductance.

..... [1]

(ii) Which of the following expressions in base SI units is equivalent to the SI unit for inductance?

Put a ring round the correct response.

$$\text{kgm}^{-2} \text{s}^{-2} \text{A}^{-1}$$

$$\text{kgm}^2 \text{s}^{-1} \text{A}^{-2}$$

$$\text{kgm}^2 \text{s}^{-2} \text{A}^{-2}$$

$$\text{kgm} \text{s}^{-2} \text{A}^{-1}$$

[1]

4 (a) Fig. 4 shows a stress-strain curve for a metal.

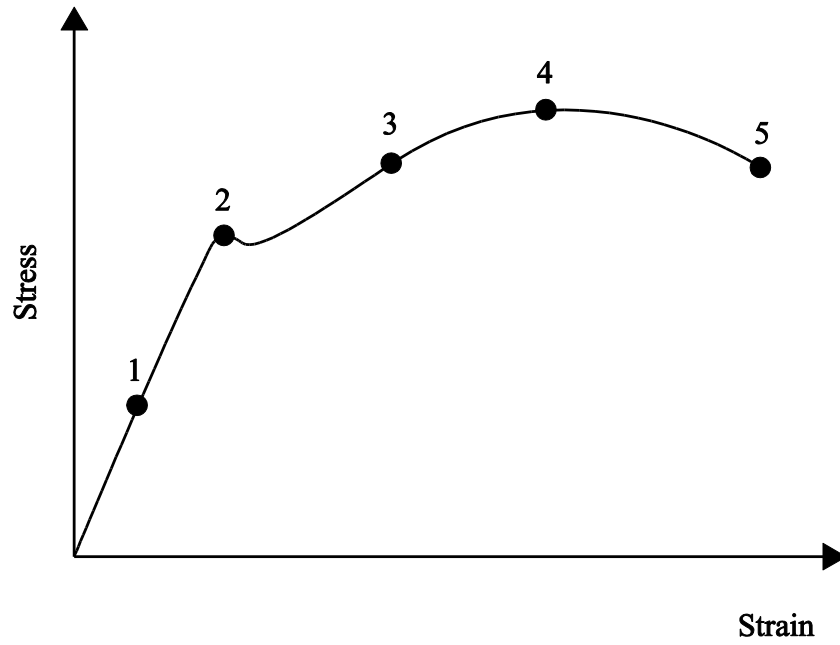


Fig. 4

Complete the table to show which point (1, 2, 3, 4 or 5) represents the features of the stress-strain graph.

Feature	Point number
Ultimate Tensile Stress (UTS)	
Yield Stress	
Fracture Point	
Elastic deformation	

[4]

(b) Fig. 5 shows a square section beam subjected to a tensile load of 85 kN.

The stress normal to section A-A is 105 MPa

The strain of the beam is 500×10^{-6} .

The yield strength of the material is 210 MPa.

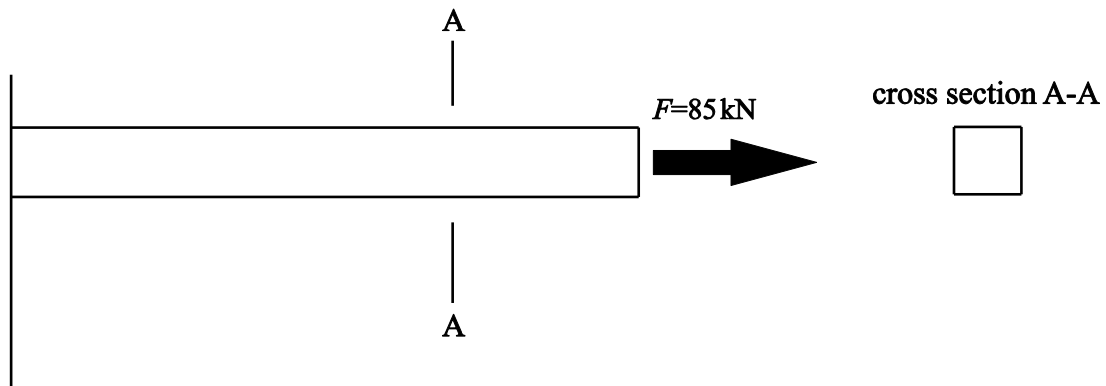


Fig. 5

(i) Calculate the cross sectional area of the beam.

.....

 [2]

(ii) Calculate the load required to plastically deform the beam.

.....

 [2]

(iii) Calculate Young's modulus of the material.

.....

 [2]

5 (a) Define 'viscosity' of a fluid.

.....
..... [1]

(b) Fluid flow is described as being either laminar or turbulent.

Explain the difference in the behaviour of particles in laminar and turbulent flow.

.....
.....
.....
..... [2]

(c) Fig. 6 shows a cross section of a tank filled with water, mercury and air.

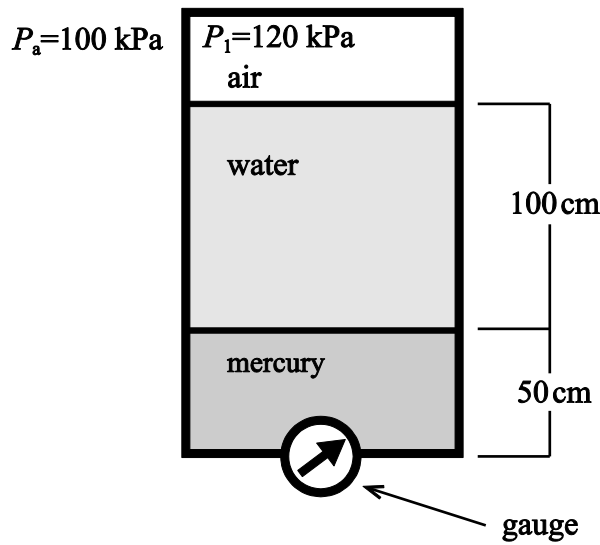


Fig. 6

Density of water $\rho_w = 1000 \text{ kg m}^{-3}$
 Density of mercury $\rho_m = 13500 \text{ kg m}^{-3}$
 Air pressure in the tank = 120 kPa

- (i) Calculate the hydrostatic pressure due to the column of water in the tank.

 [2]

- (ii) Calculate the hydrostatic pressure due to the column of mercury in the tank.

 [2]

- (iii) What is the absolute pressure at the gauge?
 [1]

- (iv) If the atmospheric pressure is 100 kPa, what is the gauge pressure?

 [2]

- 6 A thermally insulated rigid box shown in Fig. 7 contains air at 12°C and pressure $P_1=100\text{ kPa}$. The internal dimensions of the box are 3 m by 3 m by 10 m. Heat is supplied to the interior of the box at 1500 W.

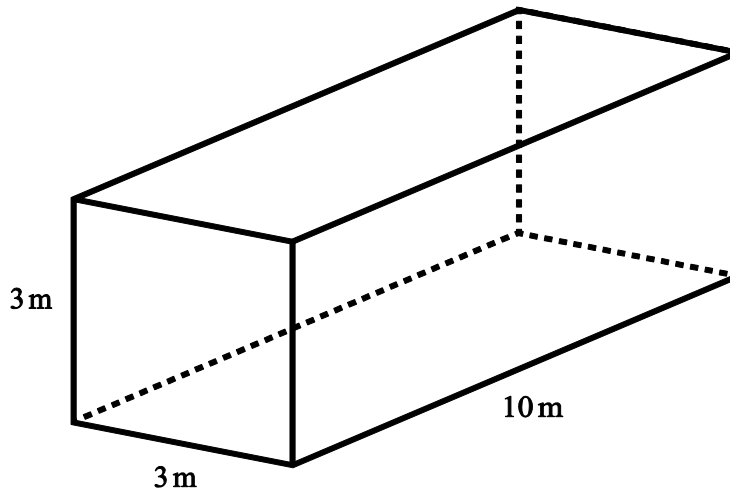


Fig. 7

Specific gas constant R_{air} for air is $287\text{ J kg}^{-1}\text{ K}^{-1}$.
 Specific heat capacity of air $c_{\text{air}} = 718\text{ J kg}^{-1}\text{ K}^{-1}$.

- (i) Show that the mass of air in the box is approximately 110 kg.

.....

 [4]

- (ii) What is the air pressure in the box once the temperature reaches 300 K?

.....
 [2]

- (iii) Calculate the energy which needs to be supplied to the box to heat the air inside to 300 K.

.....

 [2]

(iv) How long will it take to heat up the air to 300K?

.....
.....
..... [2]

END OF QUESTION PAPER



Oxford Cambridge and RSA

Copyright Information:

OCR is committed to seeking permission to reproduce all third-party content that it uses in its assessment materials. OCR has attempted to identify and contact all copyright holders whose work is used in this paper. To avoid the issue of disclosure of answer-related information to candidates, all copyright acknowledgements are reproduced in the OCR Copyright Acknowledgements Booklet. This is produced for each series of examinations and is freely available to download from our public website (www.ocr.org.uk) after the live examination series.

If OCR has unwittingly failed to correctly acknowledge or clear any third-party content in this assessment material OCR will be happy to correct its mistake at the earliest possible opportunity.

For queries or further information please contact the Copyright Team, First Floor, 9 Hills Road, Cambridge CB2 1GE.

OCR is part of the Cambridge Assessment Group. Cambridge Assessment is the brand name of University of Cambridge Local Examinations Syndicate (UCLES), which is itself a department of the University of Cambridge.