

**OXFORD CAMBRIDGE AND RSA EXAMINATIONS**  
**LEVEL 2 FUNCTIONAL SKILLS MATHEMATICS**

**09866**

**TASK AND ANSWER BOOKLET PRACTICE PAPER 4**

**TIME: 1 HOUR 30 MINUTES**

**INSTRUCTIONS**

Fill in all the boxes below. Make sure your personal details are entered correctly. Use **BLOCK LETTERS**.

Your surname or family name

Your first forename (if any)

Your second forename (if any)

Date of birth

Centre name

Centre number

Your OCR candidate number

At the beginning of this booklet you will find tear off Resource Documents. You will need to refer to these documents to complete the tasks.

You will also need:

- a pen with black ink
- a calculator
- a ruler

**YOU HAVE 1 HOUR AND 30 MINUTES TO COMPLETE THE THREE TASKS**

For each task, make sure that you:

- read the questions carefully before starting
- write your answers in this booklet
- clearly show how your working leads to your answers

**2 marks are available in each task when you show you have checked your work.**

When you have finished, hand this booklet and all the Resource Documents to the supervisor.

Ofqual Qualification Reference Number: 500/8910/9

FOR EXAMINER USE ONLY		
Question No	Mark	Total
<b>TASK A</b>		
	/	<b>/20</b>
	/	
	/	
	/	
	/	
<b>TASK B</b>		
	/	<b>/20</b>
	/	
	/	
	/	
	/	
<b>TASK C</b>		
	/	<b>/20</b>
	/	
	/	
	/	
	/	
<b>Total</b>	<b>/60</b>	

**This document consists of 28 pages. Any blank pages are indicated.**

**THIS PAGE HAS BEEN LEFT INTENTIONALLY BLANK**

## RESOURCE DOCUMENTS

The Resource Documents on pages 5, 7, 9, 11 and 13 contain information to help you to answer the tasks in this booklet.

- The resource documents are perforated along the left hand side, so they can be removed from the task and answer booklet.
- Your supervisor will instruct you when to remove the resource documents, before you start the assessment.
- Please fold pages 5, 7, 9, 11 and 13 along the perforated strip before removing from the task and answer booklet.

**THIS PAGE HAS BEEN LEFT INTENTIONALLY BLANK**

**TASK A – BEARS****RESOURCE DOCUMENT 1**

These are the UK delivery options that Barney offers his customers:

<b>UK Delivery Table - Summary</b>		
<b>Service</b>	<b>Postage cost per order</b>	<b>Delivery Time</b>
Standard	Free	Up to 7 working days
Quick	+ £2.95	1-3 working days
Express	+ £5.95	Next working day (for orders placed before 10.00am)
Saturday Express	+ £7.95	Saturday delivery (for orders placed before 10.00am Friday)

A working day is Monday to Friday (excluding weekends and UK bank holidays)  
No more than 10 bears per order

Barney can buy boxes at these prices:

<b>Business Boxes</b>					
	<b>Boxes per pack</b>	<b>Price per pack</b>			
<b>Size</b>		<b>1 – 4 packs</b>	<b>5 – 19 packs</b>	<b>20 – 39 packs</b>	<b>40+ packs</b>
152 x 152 x 152 mm	80	£22.09	£17.01	£11.71	£9.06
191 x 125 x 125 mm	70	£33.26	£27.94	£22.28	£19.96
203 x 203 x 203 mm	50	£22.20	£17.09	£12.21	£11.32
225 x 155 x 105 mm	50	£15.16	£12.43	£9.85	£6.82
229 x 152 x 152 mm	45	£13.41	£11.26	£9.25	£7.11
254 x 203 x 152 mm	40	£18.75	£14.44	£10.50	£7.50
254 x 203 x 203 mm	40	£19.05	£14.86	£11.05	£10.10
300 x 165 x 58 mm	50	£27.09	£21.94	£16.80	£14.09
305 x 229 x 76 mm	35	£22.64	£18.11	£13.58	£11.32
305 x 229 x 152 mm	40	£16.31	£13.87	£11.23	£8.42
305 x 229 x 229 mm	30	£13.12	£11.41	£9.84	£6.82
381 x 248 x 127 mm	35	£21.73	£16.73	£11.52	£8.69

**THIS PAGE HAS BEEN LEFT INTENTIONALLY BLANK**

**TASK A – BEARS**

Barney can buy plastic postal sacks at these prices:

<b>Plastic Postal Sacks – save ££££s with our quantity discounts!!!!</b>				
<b>Width x Length inches</b>	<b>Number in pack</b>	<b>Cost per pack</b>		
		<b>1 or 2 packs</b>	<b>3 or 4 packs</b>	<b>5+ packs</b>
7 x 9	100	£4.35	£3.92	£3.70
7 x 9	1000	£33.75	£30.38	£28.69
9 x 12	100	£5.65	£5.09	£4.80
9 x 12	500	£22.50	£20.25	£19.13
10 x 12	100	£6.35	£5.72	£5.40
10 x 12	500	£25.35	£22.82	£21.55
10 x 14	100	£6.55	£5.90	£5.57
10 x 14	1000	£52.50	£47.25	£44.63
12 x 14	100	£7.85	£7.07	£6.67
12 x 14	1000	£62.50	£56.25	£53.13
13 x 17	100	£8.75	£7.88	£7.44
13 x 17	1000	£69.90	£62.91	£59.42

**Conversions**

1 cm = 0.39 inches

1 inch = 2.54 cm

1 foot = 30.48 cm

**THIS PAGE HAS BEEN LEFT INTENTIONALLY BLANK**



**TASK B – FLYING BAGS****RESOURCE DOCUMENT 1****Airline hand baggage rules**

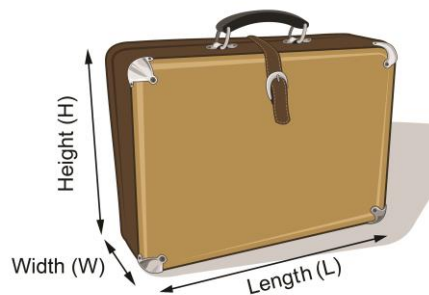
The following are guidelines.

<b>Airline</b>	<b>Maximum size</b>
Air France	55 x 35 x 25 cm
British Airways	56 x 45 x 25 cm
Easyjet	55 x 40 x 20 cm
Emirates	55 x 38 x 20 cm
Flybe	50 x 35 x 23 cm
Lufthansa	55 x 40 x 20 cm
Monarch	56 x 45 x 25 cm
Ryanair	55 x 40 x 20 cm
United Airlines	56 x 35 x 23 cm
Virgin Atlantic	56 x 36 x 23 cm

**\*Linear Length**

American Airlines	114 cm
Continental	115 cm
Iberia	115 cm
Qantas	115 cm

\* Linear Length =  
Length + Height + Width (L + H + W)  
of the case or bag and must  
include all side pockets etc.



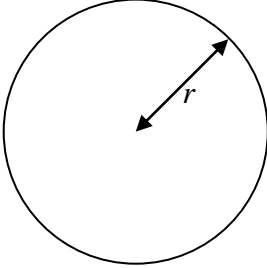
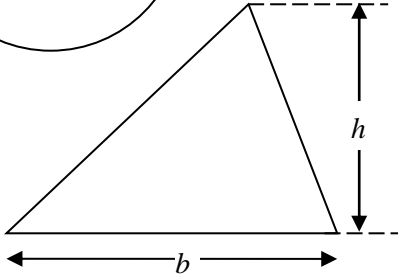
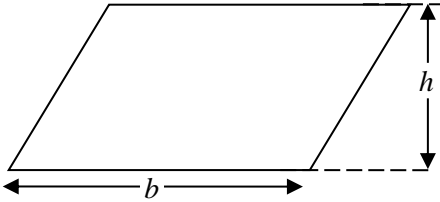
**Note:** 1 inch = 2.54 cm  
1 litre = 1000 cm<sup>3</sup>

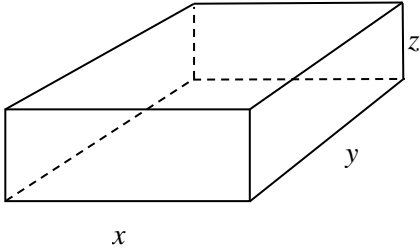
**THIS PAGE HAS BEEN LEFT INTENTIONALLY BLANK**

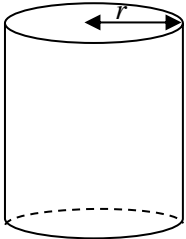
**TASK B – FLYING BAGS**

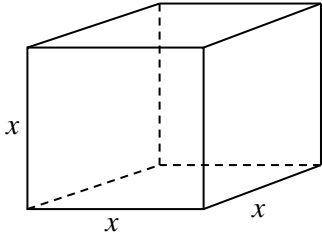
**Areas and volumes**

Take  $\pi$  as 3.1 or use the value on your calculator.

Area of a circle	$= \pi r^2$	
Area of a triangle	$= \frac{1}{2} bh$	 (h is perpendicular height)
Area of a parallelogram	$= bh$	

Cuboid		<p>Volume = <math>xyz</math></p> <p>Surface area = <math>2xy + 2zy + 2yz</math></p>
--------	---	---

Cylinder		<p>Volume = <math>\pi r^2 h</math></p> <p>Area of curved surface = <math>2\pi r h</math></p> <p>Area of each end = <math>\pi r^2</math></p> <p>Total surface area = <math>2\pi r h + 2\pi r^2</math></p>
----------	---	--

Cube		<p>Volume = <math>x^3</math></p> <p>Surface area = <math>6x^2</math></p>
------	---	--

**THIS PAGE HAS BEEN LEFT INTENTIONALLY BLANK**

**TASK C – CARS AND CHOICES****RESOURCE DOCUMENT 1**

Sally's readings from her milometer.

<b>Date</b>	<b>Reading</b>	<b>Date</b>	<b>Reading</b>
1 <sup>st</sup> Mar 2008	15046	1 <sup>st</sup> Mar 2009	27846
1 <sup>st</sup> Apr 2008	16266	1 <sup>st</sup> Apr 2009	28866
1 <sup>st</sup> May 2008	17220	1 <sup>st</sup> May 2009	29864
1 <sup>st</sup> June 2008	18100	1 <sup>st</sup> June 2009	30764
1 <sup>st</sup> July 2008	19300	1 <sup>st</sup> July 2009	32844
1 <sup>st</sup> Aug 2008	20120	1 <sup>st</sup> Aug 2009	34006
1 <sup>st</sup> Sept 2008	20925	1 <sup>st</sup> Sept 2009	34805
1 <sup>st</sup> Oct 2008	22126	1 <sup>st</sup> Oct 2009	36020
1 <sup>st</sup> Nov 2008	23256	1 <sup>st</sup> Nov 2009	37246
1 <sup>st</sup> Dec 2008	24456	1 <sup>st</sup> Dec 2009	38336
1 <sup>st</sup> Jan 2009	25520	1 <sup>st</sup> Jan 2010	38446
1 <sup>st</sup> Feb 2009	26746	1 <sup>st</sup> Feb 2010	39536

This is the data for two models of car.

	<b>Diesel Car</b>	<b>Hybrid Car</b>
<b>Price</b>	£16,419	£18,950
<b>Engine</b>	1364cc Diesel	1.8 litre Petrol and 60kW Electric Motor
<b>Transmission</b>	5 Speed Manual	Electric CVT
<b>0-62 MPH</b>	12 s	11.4 s
<b>Top speed</b>	109mph	112mph
<b>Rate of Fuel used: miles per gallon</b>	56.5	74.3
<b>CO<sub>2</sub> emissions</b>	132g/km	89g/km
<b>Car tax, per year</b>	£90	£0
<b>Servicing, per year</b>	£190	£210
<b>Tyres, per year</b>	£110	£110

$f$  is the number of litres of fuel used  
 $d$  is the number of miles driven in a year  
 $r$  is miles per gallon

$$f = \frac{d \times 4.5}{r}$$

**THIS PAGE HAS BEEN LEFT INTENTIONALLY BLANK**

**TASK AND ANSWER PAGES**

Do not turn over this page until you are told to do so by your supervisor.

**THIS PAGE HAS BEEN LEFT INTENTIONALLY BLANK**



**TASK A – BEARS****You will need Task A Resource Document 1**

Barney runs an internet business selling teddy bears.  
He sells two sizes of bear.

<p><b>Medium bear</b></p> <p>25.1 x 15 x 12.4 cm *</p> <p><b>£14.99</b></p> 		<p><b>Large bear</b></p> <p>40.9 x 26.7 x 17.8 cm *</p> <p><b>£23.99</b></p>
<p>* Length x width x depth</p>		

- Q1 (a)** Ellen decides to order two bears, one of each size. She needs them to be delivered within three working days. She uses the delivery table in the Resource Booklet to find out the postage cost.

What is the least that Ellen will have to pay in total?

---



---



---



---

**(2 marks)**

- (b)** On Friday 23 July at 9.30 am, Annie places an order for one large bear. She wants the bear delivered as soon as possible.

- (i)** What is the earliest date on which the bear could be delivered?

---



---

**(1 mark)**

- (ii) What will be the total Annie has to pay to get the bear delivered by Monday 26 July?

---

---

---

---

**(2 marks)**

- (c) Barney packs the bears into cardboard boxes.

- (i) What size box would Barney need to buy for a medium bear?

---

---

---

---

**(2 marks)**

- (ii) Barney wants to buy 1000 boxes for medium bears.

How much will it cost per box?

---

---

---

---

---

---

**(3 marks)**

- (d) Barney thinks it will be cheaper to pack the medium bears into plastic postal sacks.

To be sure that a bear will fit into the sack, Barney estimates that the sack needs to be twice the width of the bear and 25% longer than the bear.

Is Barney right in thinking that plastic sacks are cheaper?

Explain all your working.

---

---

---

---

---

---

---

---

---

---

---

---

---

---

---

---

---

---

---

---

---

---

---

---

**(8 marks)**

Examiner  
use only  
(Q1)

**Checking (2 marks)**

Examiner  
use only  
(Checking)

**Total marks**

Examiner  
use only  
(Total)

**END OF TASK A**

**TASK B – FLYING BAGS****You will need Task B Resource Document 1**

Anita plans a holiday.  
She will fly to her destination.

- Q1 (a)** Last year she had too much luggage and had to pay extra.  
According to the airline's rules:

***When baggage allowance is exceeded an excess baggage charge must be paid.***  
The excess baggage charge is 1% of the highest published one-way Adult Economy Fare for the journey per kilogram of excess weight.

The baggage allowance was 20 kg. Anita's bags weighed 30 kg.  
The highest published one-way Adult Economy Fare for her journey was £500.

- (i)** How much was Anita's excess baggage charge?

---

---

---

---

**(2 marks)**

- (ii)** Anita flew with a budget airline. Her ticket cost a twentieth of the highest published one-way Adult Economy Fare!

How much was Anita's ticket?

---

---

**(1 mark)**

**(b)** Many budget airlines allow free hand baggage.  
It must be light enough for a person to put into an overhead locker.

**(i)** What do you think is the heaviest weight an average person could easily lift into an overhead locker?

---

---

**(1 mark)**

**(ii)** Anita measures her favourite bag.  
It is 22 inches by 15 inches by 9 inches.

Which airlines on the list in the Resource Booklet would allow her to take this as hand luggage?

---

---

---

---

---

---

---

---

---

---

**(4 marks)**

Anita decides to buy a new bag, but does not want one which is too big. She sees this one online.

- **Type:** FLIGHT BAG
- **Handles:** Integrated adjustable shoulder strap with pad
- **Internal Features:** Interior zip pocket
- **External Features:** Front zip pocket & smart sleeve
- **Capacity:** 15 litres
- **Dimensions:** Height: 26 cm, Width: 38 cm, Depth: 15 cm



- (c) Anita does a calculation and finds that her value for the volume of the bag **does not** match the capacity quoted.

Do you agree with Anita?

Show all your calculations clearly, and explain any difference.

---

---

---

---

---

---

---

---

---

---

(4 marks)

- (d)** Anita has to choose between American Airlines and Flybe to get to her holiday destination.

Which airline allows the larger volume hand baggage?  
 Make all your assumptions and working out clear.

---

---

---

---

---

---

---

---

---

---

---

---

---

---

---

---

---

---

---

---

---

---

---

---

**(6 marks)**

Examiner  
use only  
(Q2)

**Checking (2 marks)**

Examiner  
use only  
(Checking)

**Q3 (plus checking) marks**

Examiner  
use only  
(Total)

**END OF TASK B**

**TASK C – CARS AND CHOICES**

You will need Task C Resource Document(s)

Sally drives a car with a diesel engine.  
This sign shows the price of fuel in pence.

Unleaded Litre	110.9
Diesel Litre	120.9

**Q3 (a)** How much does Sally pay for 20 litres of diesel?

---

---

---

---

**(2 marks)**

**(b)** Sally records the reading on her car's milometer on the 1<sup>st</sup> of every month. This data is shown in the Resource Booklet.

How many miles in total did Sally drive in 2009?

---

---

---

---

**(2 marks)**



- (c) Sally wants to know how much it cost her to drive her diesel car in 2009. First she estimates the amount of fuel used. She uses this formula.

$$f = \frac{d \times 4.5}{r}$$

$f$  is the number of litres of fuel used  
 $d$  is the number of miles driven in a year  
 $r$  is miles per gallon

- (i) How much fuel did Sally's car use?

---

---

---

---

(2 marks)

- (ii) How much did this fuel cost?

---

---

(1 mark)

Sally adds on the cost of servicing, tyres and car tax.

- (iii) What is the total cost?

---

---

---

---

(2 marks)

Sally wants to buy a new car.  
She has seen a Hybrid car which uses both a petrol engine and an electric motor.

**(d)** How much would it have cost Sally to run the Hybrid car in 2009?

---

---

---

---

---

---

---

---

---

---

---

---

**(5 marks)**

Sally will buy either the Hybrid car or a new diesel car. Sally plans to keep her new car for 4 years.

**(e)** Which car would you recommend? Give your reasons.

---

---

---

---

---

---

---

---

---

---

**(4 marks)**

Examiner  
use only  
(Q3)

**Checking (2 marks)**

Examiner  
use only  
(Checking)

**Total marks**

Examiner  
use only  
(Total)

**END OF TASK C**

Task 1, page 17 Gund Teddy Bears, [www.bears4u.co.uk](http://www.bears4u.co.uk)  
Task 2, page 22 Flight Bag © Eagle Creek [www.zappos.com](http://www.zappos.com)

---

**OCR**  
Oxford Cambridge and RSA

**Copyright Information:**

OCR is committed to seeking permission to reproduce all third-party content that it uses in its assessment materials. OCR has attempted to identify and contact all copyright holders whose work is used in this paper. To avoid the issue of disclosure of answer-related information to candidates, all copyright acknowledgements are reproduced in the OCR Copyright Acknowledgements Booklet. This is produced for each series of examinations and is freely available to download from our public website ([www.ocr.org.uk](http://www.ocr.org.uk)) after the live examination series.

If OCR has unwittingly failed to correctly acknowledge or clear any third-party content in this assessment material OCR will be happy to correct its mistake at the earliest possible opportunity.

For queries or further information please contact the Copyright Team, OCR (Oxford Cambridge and RSA Examinations), The Triangle Building, Shaftesbury Road, Cambridge CB2 8EA.

OCR is part of the Cambridge Assessment Group. Cambridge Assessment is the brand name of University of Cambridge Local Examinations Syndicate (UCLES), which is itself a department of the University of Cambridge.