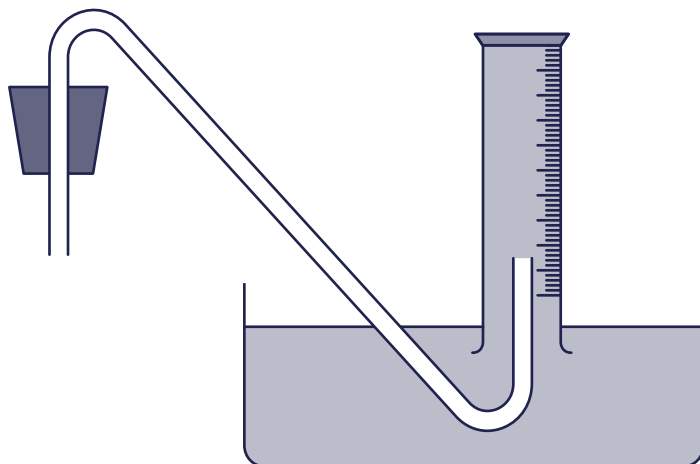


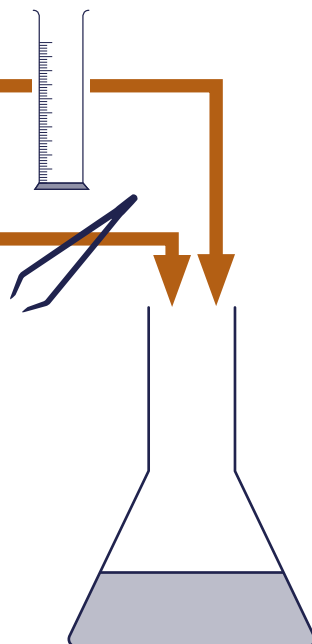
Measuring the rate of reaction between Mg and HCl

1 Set up gas collection apparatus

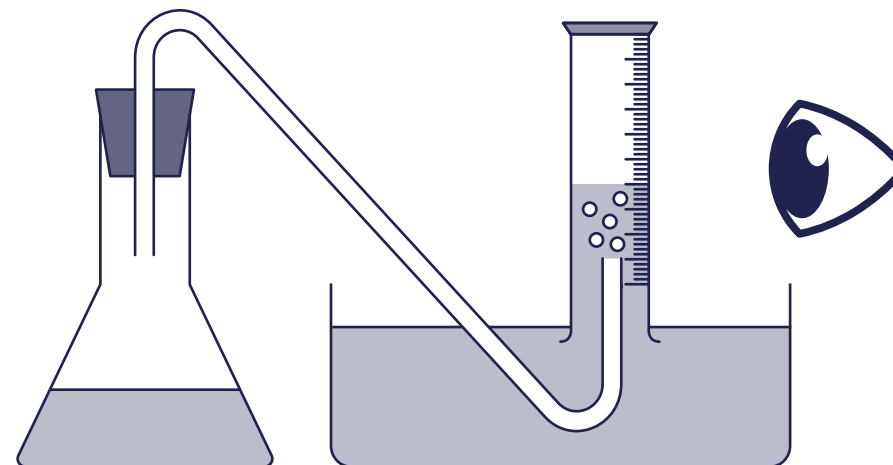


2 50 cm³ 1.0 M acid (at room temperature)

3 4 cm magnesium ribbon



4 QUICKLY place bung into conical flask AND start the timer



5 Measure time taken to produce 30 cm³ of gas



6 Repeat steps 1 - 5 for acid at:
30°C, 40°C, 50°C and 60°C

